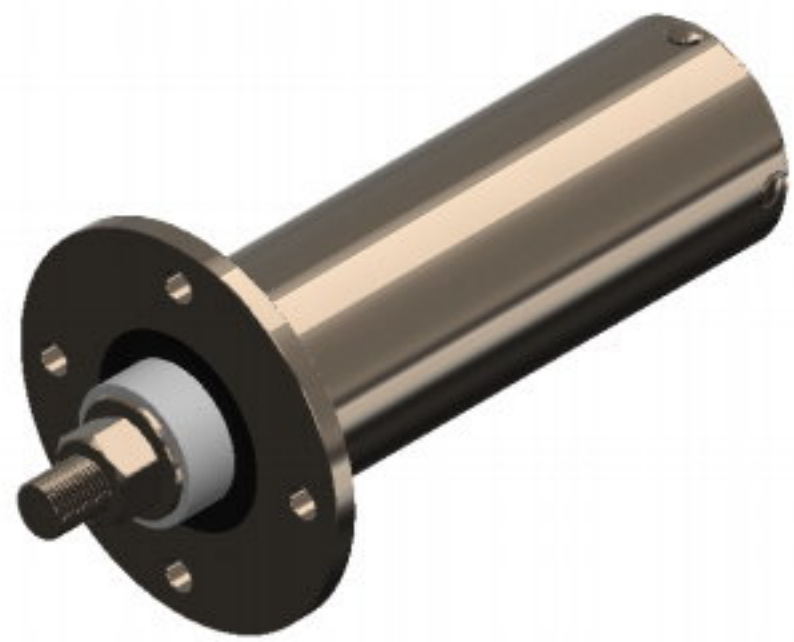
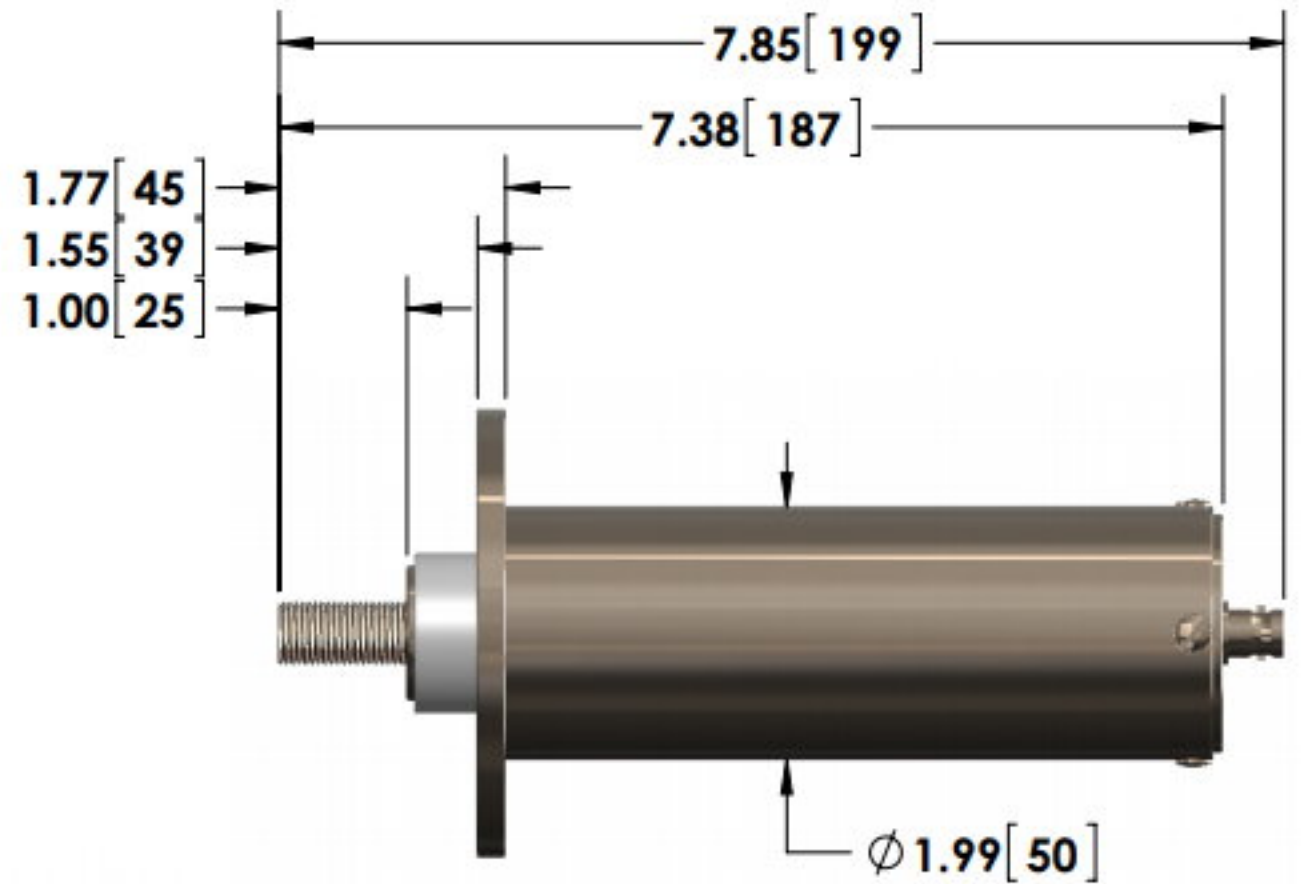
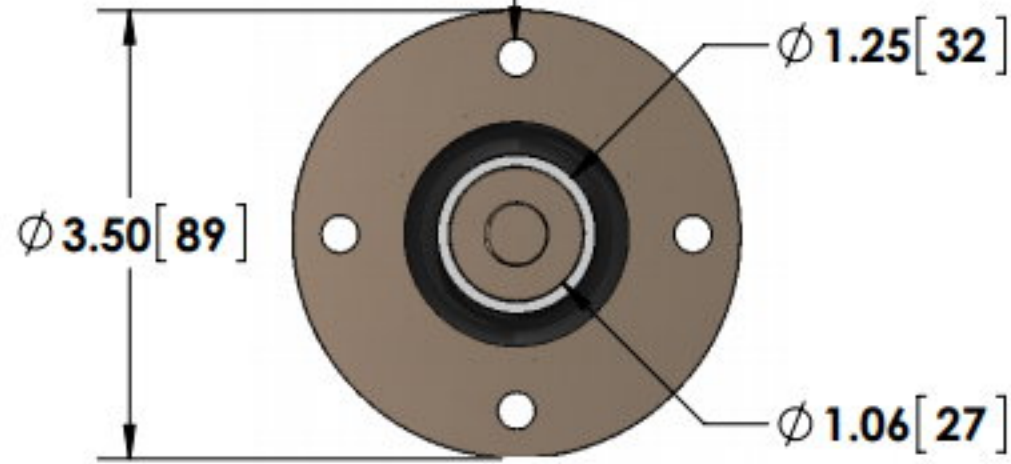



- 1/2-20 Threaded Stud Input w/Nut
- BNC (Amphenol) Output

4X ϕ .28 [7] THRU
ON A 2.75 [70] BOLT CIRCLE



Specifications subject to change without notice.

 T & M RESEARCH PRODUCTS, INC.	
TITLE: F SERIES - 75 Watt Units	
DIMENSIONS:	inch[mm] DATE: 03-27-2015