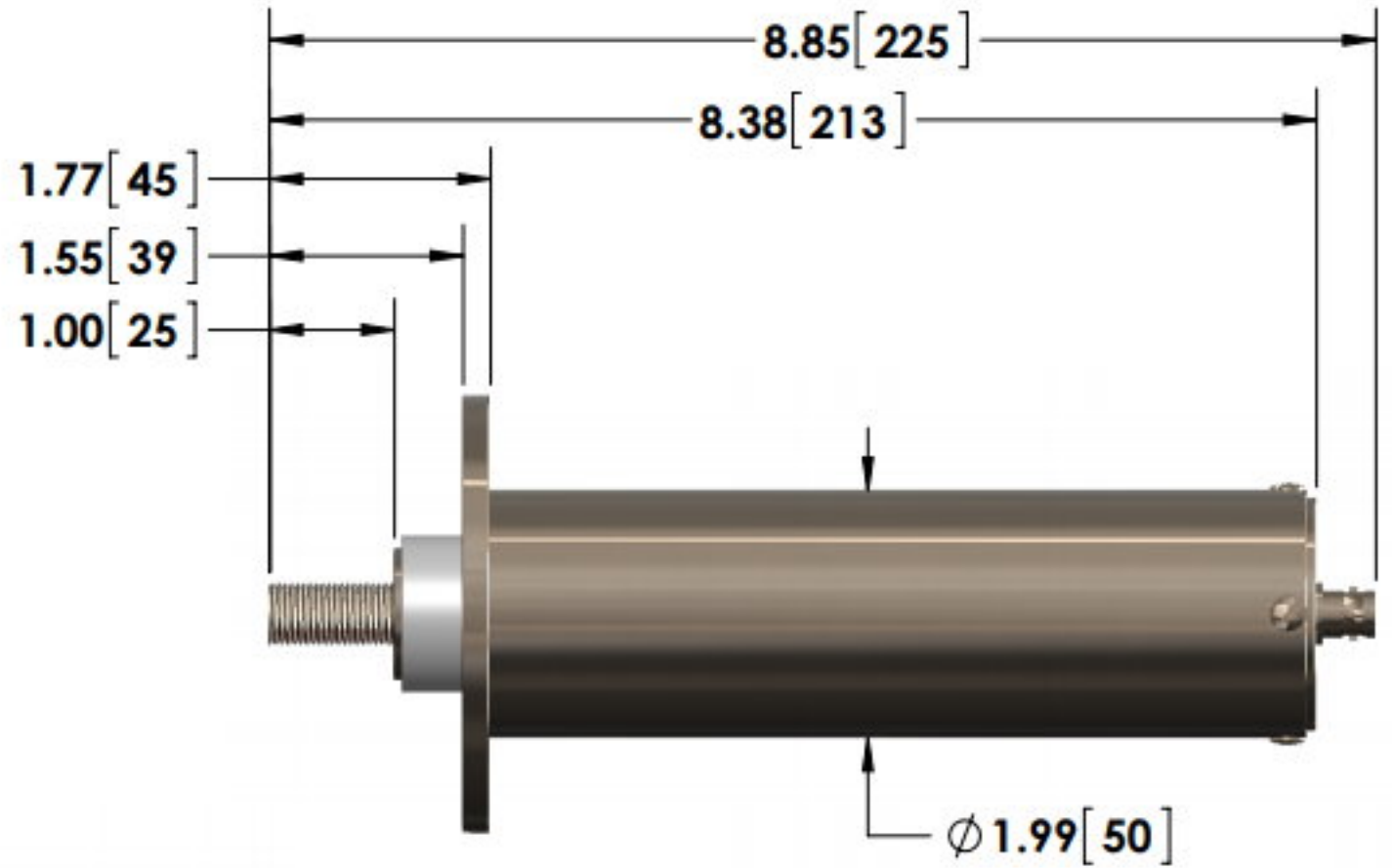
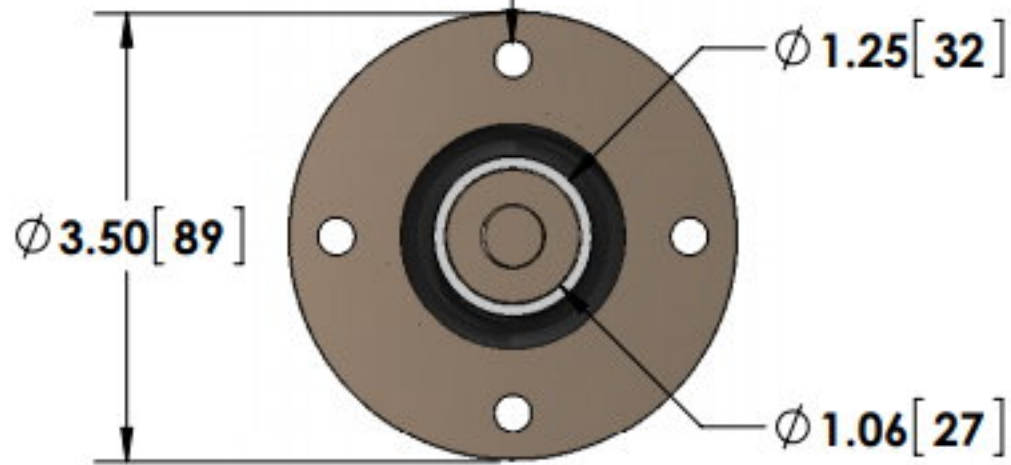


- 1/2-20 Threaded Stud Input w/Nut
- BNC (Amphenol) Output

4X  $\phi$  .28 [ 7 ] THRU  
ON A 2.75 [ 70 ] BOLT CIRCLE



Specifications subject to change without notice.



T & M RESEARCH PRODUCTS, INC.

TITLE: **F SERIES - 90 Watt Units**

DIMENSIONS: **inch[mm]**

DATE: **03-27-2015**